

Autopsy table ZEFIRO

Ventilated workstation for operators protection



Ventilated autopsy table Zefiro

CODE TF2907/TR2907

Manufacturer: Diapath

Distributor: Diapath



The picture above shows the product but it is an example for dimensions and equipped accessories

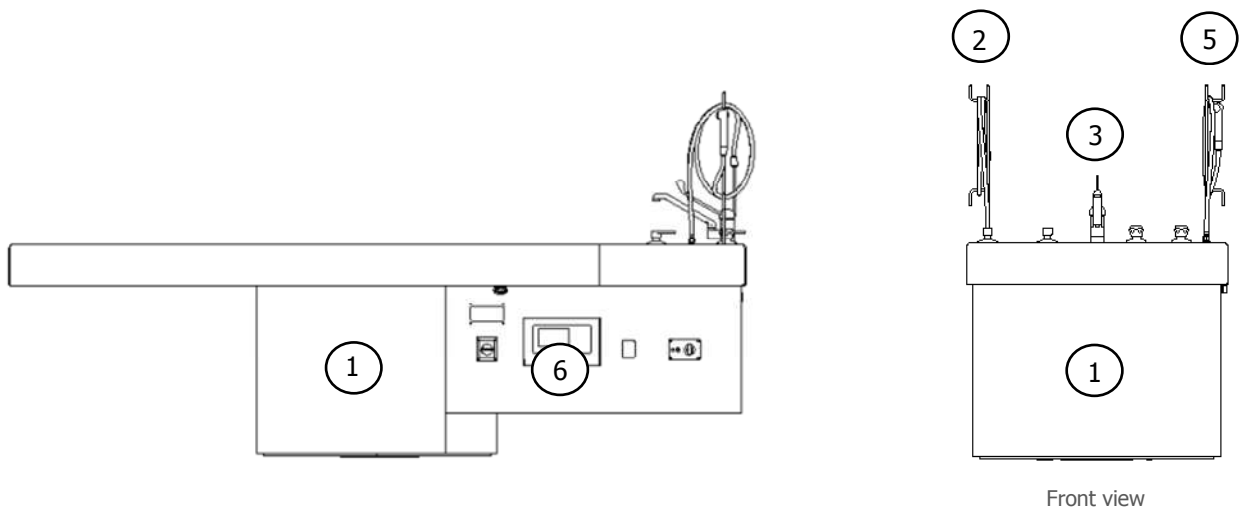
General features

The ventilated workstations of Zefiro Line are designed to protect the operator from inhalation of harmful vapours, during the working.

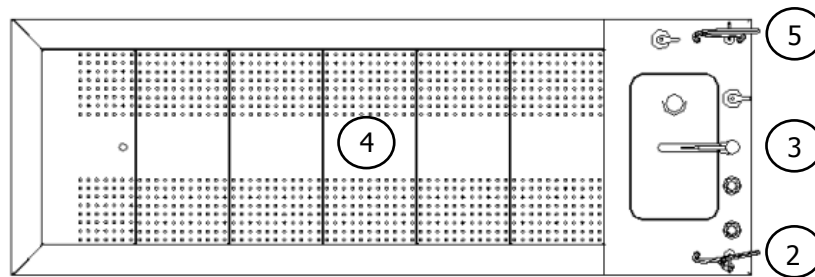
Reliable and long-lasting due to the attention of the manufacturing materials, and also innovative with a functional and attractive design.

The autopsy table Zefiro is designed to make easier autopsy collections, ensuring functionality, comfort for the operator and maximum hygiene.

The autopsy table Zefiro offers a range of forefront technical solutions for anatomic and forensic pathologists.



Front view



Top view

The picture above shows the product but it is an example for dimensions and equipped accessories

Overview

- | | |
|-----------------------------|--------------------|
| ① Table structure | ④ Table worktop |
| ② Extractable shower head | ⑤ Liquid aspirator |
| ③ Basin for water discharge | ⑥ Control panel |

Waste disposal unit

Electrical waste disposal unit placed under the basin. Starting up by the control panel.

Table structure

The table structure is made of AISI 316 stainless steel. The autopsy table Zefiro is available in two models: pedestal or pedestal with automatic elevating mechanism of the table top.

Extractable shower head

Extractable multijet shower head, to wash all the table worktop area.

Faucet

Stainless steel faucet with clinic lever mixer for hot/cold water.

Table worktop

Table worktop made of AISI 316 stainless steel with perforated, modular and removable grid plates. The grid plates allow to have a stable table top, easy to clean and sanitize.

Organ holder

Sliding organ holder made of AISI 316 stainless steel.

Skull support

Neck and skull support made of AISI 316 stainless steel.

Hydraulic liquid aspirator

Integrated suction system of organic liquids.

Control panel

Control panel with membrane keyboard and color LCD display 4.3".

Functions

Zefiro ventilated workstations offer a range of functions designed to make easier and more comfortable the operations performed by users.



Ventilation

The ventilation speed is managed by user interface.



Facilities delay

Possibility to manage some facilities delay, such as: ventilation, basin rinsing and waste disposal unit.



Basin rinsing

Automatic washing of waste drain basin under the grossing grid top.

Filtering batteries

The filtering batteries are composed of formalin activated charcoal filters and HEPA filters. All filters are located in the external panel, to make the periodic replacement simple and safe. Filters length is limited to the amount of chemical agent absorbed.



Activated charcoal filter

It consists of cells of charcoals activated by chemical processes. Micro granules present in these cells are able to filter the air removing molecules of harmful or even toxic fumes. The activated charcoal filters may be specific for filtration of formalin.



HEPA filter

The second filtering part consists of absolute or HEPA filters, with an efficiency of 99.97%, able to filter particles of the size with only 3 microns. Filter HEPA CLASS 2 13P2 R11 691 Filtration <0,001% NaCl BS3928/M7605 CLASS S:

Diapath S.p.A., always oriented to offer high quality products and services, equips the ventilated workstations line with the patented electronic control system RFID in order to detect and save filtering battery expiry date and periodically replace them with original spare parts approved and certified by the manufacturer.



Exhaust fans

The equipped exhaust fan is designed according to the following factors: kind of workstation, filtering battery (activated charcoal, HEPA, anti-dust, etc ...), line of vapours exhalation, length of suction ducts.

Remote exhaust fan 252 – SDCMT9006

Remote centrifugal exhaust fan model 252 with casing and impeller made of spark-proof plastic material

- Rated power: 0.37 KW



Remote exhaust fan 282 – SDCMT9007

Remote centrifugal exhaust fan model 282 with casing and impeller made of spark-proof plastic material

- Rated power: 0.75 KW

Remote exhaust fan 312 - SDCMT9008

Remote centrifugal exhaust fan model 312 with casing and impeller made of spark-proof plastic material

- Rated power: 1.5 KW

Available models

- | | |
|---------------------------------|---|
| <input type="checkbox"/> TF2907 | Pedestal autopsy table Zefiro |
| <input type="checkbox"/> TR2907 | Pedestal autopsy table Zefiro with automatic elevating mechanism of the table worktop |

Available accessories

The high quality standards of available accessories improve the operations daily performed by lab staff, ensuring total safety.

- | | |
|------------------------------------|--|
| <input type="checkbox"/> SDBOP9001 | Hydraulic liquid aspirator |
| <input type="checkbox"/> SDBOP9002 | Sliding organ holder (to be placed on the table) |
| <input type="checkbox"/> SDBOP9003 | Two shelves, organ holder trolley |
| <input type="checkbox"/> SDBOP9004 | External panel for filtering battery |
| <input type="checkbox"/> SDCOP9016 | Waste disposal unit (to be placed under the basin) |
| <input type="checkbox"/> SDBTA0037 | Neck and skull support |
| <input type="checkbox"/> SDCOP9014 | Filtering battery for external panel |

DIAPATH

Technical features

Dimensions	Width Depth Height	2600 mm 850 mm 750-950 mm (variable in presence of the automatic elevating mechanism)
Total weight	TF2907 TR2907	about 350 Kg (variable according to configuration) about 480 Kg (variable according to configuration)
Materials	Top Base	AISI316 stainless steel AISI316 stainless steel
Power	230VAC 50 Hz	
Socket protection level	IP55	
Arrangements	Water	Hot water loading: 1/2" female Cold water loading: 1/2" female Water discharge: 1" 1/4
	Fume exhalation	Ø 200 mm
Filtering battery	1 specific activated charcoal filter 1 HEPA filter, efficiency 99.97%	
Exhaust fan	Verify power specifications in the dedicated section	
Speed settings	Single-phase inverter set according to exhaust fan model	
Noise	<70 dB	
Detection system for filtering battery replacement	RFID antenna	
Alarm for filters replacement	Timer with residual working time counting of filtering batteries and information concerning filters replacement data	
User interface	Color LCD display 4.3" with membrane control keyboard	