

COLPOSCOPE

# PRIMA GN





## A VERSATILE SOLUTION FOR THE MODERN PRACTICE



The Prima GN is an ideal solution for surgical and diagnostic work given its superb optical and mechanical performance, ensuring many years of carefree use.

A durable mobile H-stand is easily transported from one room to the next on robust castor wheels, enabling multi-room use and convenient storage. Alternatively, the system can be mounted directly to an exam chair, on a short column for quick diagnostic work, or in an over-the-shoulder floor mount configuration.

The Prima GN was designed to address all digital imaging and documentation needs. Doctors can use a digital SLR or video camera, thanks to a wide selection of adapters available through LABOMED's *ProLine* suite. A proprietary *iVu* series camera provides an excellent solution with its all-in-one high definition imaging, streaming, and capture options.



*Live streaming can be sent directly to a flat panel monitor mounted conveniently to the Prima GN arm.*

BRINGING GREATER CLARITY TO YOUR DIAGNOSES



Integration of a cool 50W LED illumination system within the swivel arm makes the Prima GN a compact and well balanced system. Bulb change hassle is a thing of the past as the ultra bright and white-light LED is rated for 60,000 hours of consistent bulb life.

LABOMED's proprietary *MaxLite™* coated apochromatic optics deliver a level of detail, color correction, and anti-reflective properties typically found in operating room microscopes. This makes the PRIMA GN a best-in-class value colposcope.



# PRIMA GN COLPOSCOPE

**Binocular tubes**

Straight viewing tube 90°

**Eyepieces**

Optional: 45° inclined head

**Apochromatic magnichanger**

WF 10X/18 mm with retractable eye guards, diopter adjustment  $\pm 5$  mm and diopter lock

**Objective**

Optional: 12.5X/18mm; fixed eye guards

**Light source**

5 step: 0.4X, 0.6X, 1.0X, 1.6X and 2.5X

**Built-in filters**

f-300, manual fine focus

**Vertical movement of arm**

50W LED

**Microscope carriers**

Green

**Optional Accessories**

550 mm

Straight carrier

Beam splitter

*ProLine* range of camera adapters

*iVu G5* 5MP integrated digital camera module

**Base(Dimensions)**

600 mm width, 620 mm length

**Stand height**

984 mm

**Weight of complete microscope**

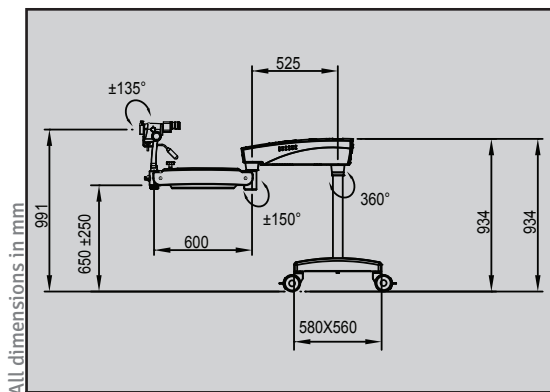
80 Kg. (approx.)

**Elevation stroke**

570 mm

**Stand height in horizontal position**

775 mm



All dimensions in mm

**ITEM**

PRIMA GN

PRIMA GN

**CONFIGURATION**

Colposcope, mobile H-stand

Colposcope, mobile H-stand, over the shoulder

**CATALOG NO.**

6165000-000

6165000-100



**SPECIFICATIONS**

Labo America, Inc.  
920 Auburn Court  
Fremont, CA 94538

Tel: (510) 445-1257

Fax: (510) 445-1317

E-mail: sales@laboamerica.com

[www.laboamerica.com](http://www.laboamerica.com)



ISO 9001 : 2008

**LABOMED**

Distributor